

## Accessories: Connectors BKS-B 20-8-

### Common Data

Version  
Usable with  
Ambient temperature  
Supply voltage display

Connector, angle, 4-pins  
on Sensors with connection S4  
(DC, PNP-NO/NC, M12)  
-25°C...+85°C  
yes

### Mechanical Data

Material  
Protection class per IEC 60529  
Cable version  
Conductor cross section

PVC / PUR  
IP67  
molded-on (3xLi12Y)-11Y-0/black  
3x0,34

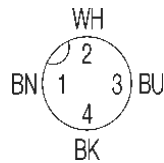
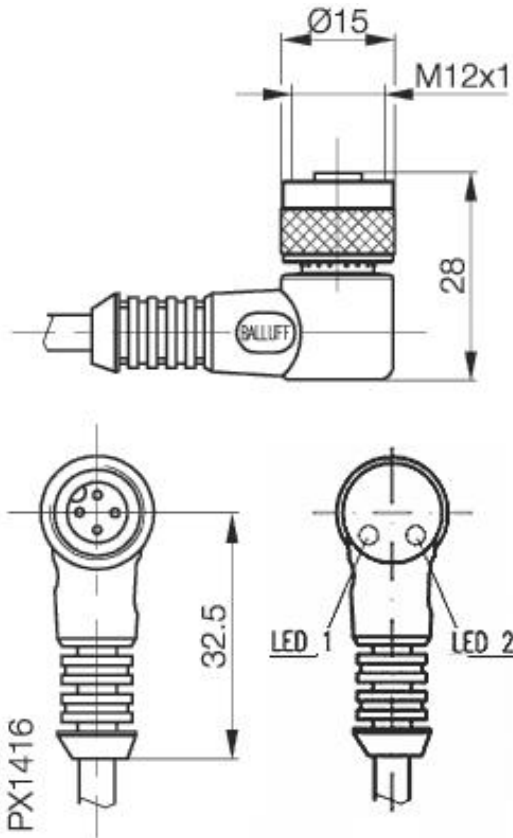
### Electrical Data

Supply voltage

125 AC/150DC

### Remarks

yes



Datasheet number::

Definitions see general catalog.  
If not otherwise noted, ratings according to  
IEC 60947-5-2 (DIN EN60947-5-2)

Balluff GmbH  
Schurwaldstrasse 9  
73765 Neuhausen a.d.F.  
Phone (07158) 173-0 Fax (07158) 5010

Datenblatt by CD-ROM - 04/2007

**BALLUFF**  
sensors worldwide